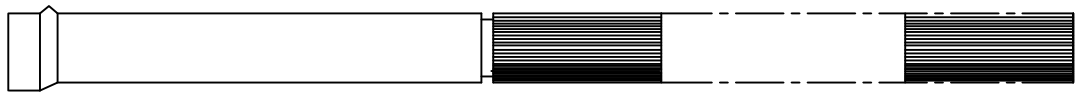
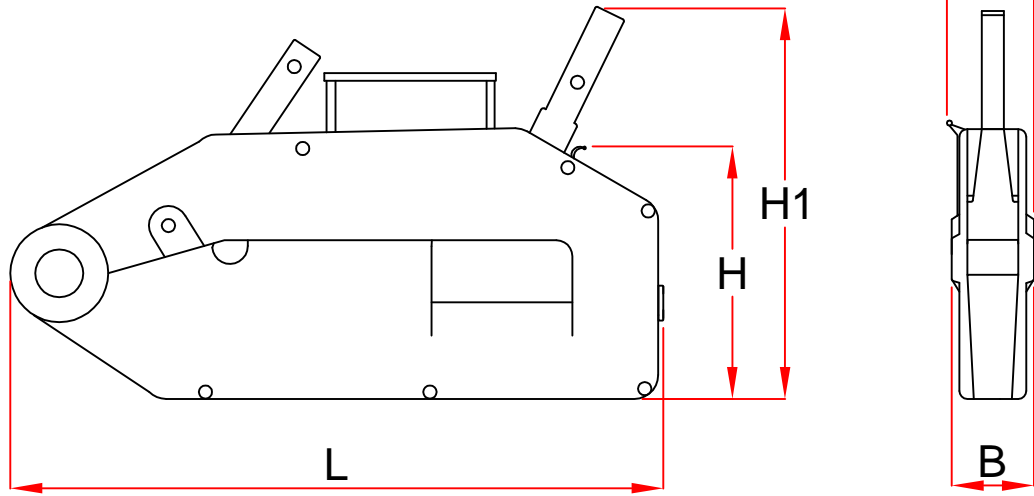


www.indef.com



HHL/STIER PLM/20140201/V2

TYPE		RM08	RM16	RM32
Lifting Capacity	kg	800	1600	3200
Pulling Capacity	kg	1200	2400	4000
Rope movement per lever action	mm	60	60	40
Lever force at full load	daN	24	30	50
Lever length	mm	800	1190	1190
Rope diameter	mm	8.5	11	16
Weight of rope	kg/m	0.29	0.53	1
Standard rope length	m	20	20	20
B (Dimensions)	mm	60	72	91
B1	mm	-	97	110
H	mm	168	190	230
H1	mm	240	270	330
L	mm	430	545	680
Weight without rope	kg	7	14	21
Weight with rope and lever	kg	16	28	52

Note :- Due To Continuous development and improvement specification listed above may be changed without notice.